

## 1" - 32W High Frequency Unit

HFU 140.25/78

16 Ω

Code Z009511

### GENERAL CHARACTERISTICS

Nominal Overall Diameter .....	140	mm
Nominal Voice Coil Diameter .....	25	mm
Magnet Weight .....	245	g
Flux Density.....	1.56	T
Weight.....	0.75	Kg

### THIELE-SMALL PARAMETERS

Voice Coil DC Resistance .....	$R_E$	12.00	Ω
Resonance Frequency .....	$f_s$	1500	Hz
Voice Coil Inductance @ 1kHz .....	$L_E$	1.90	mH

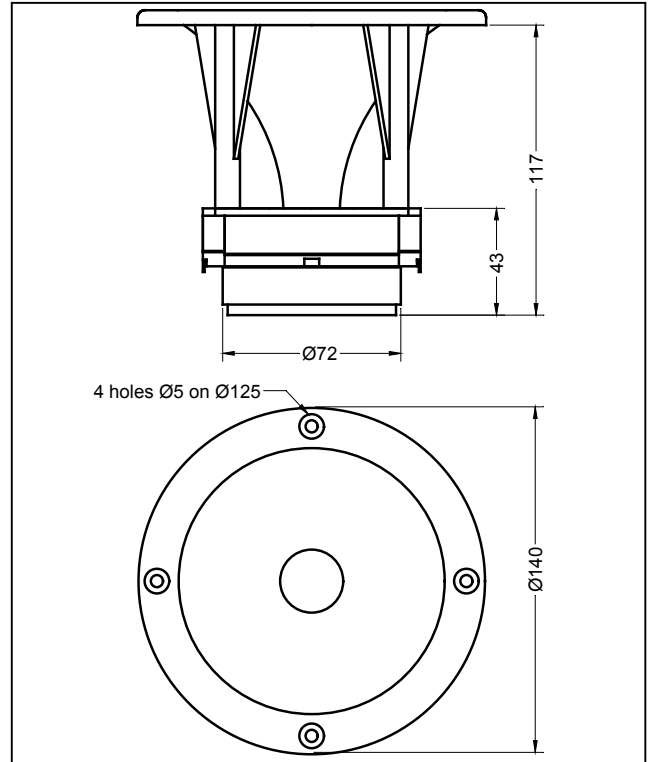
### CONSTRUCTIVE CHARACTERISTICS

Magnet.....	Ferrite
Voice Coil Winding.....	Copper
Voice Coil Former.....	Kapton
Voice Coil Winding Height.....	1.7mm
Diaphragm .....	Tri-acetate Film
Air Gap Height.....	2mm
Ferrofluid in Air Gap .....	No
Throat Diameter .....	25mm
Horn.....	Plastic

### NOTES

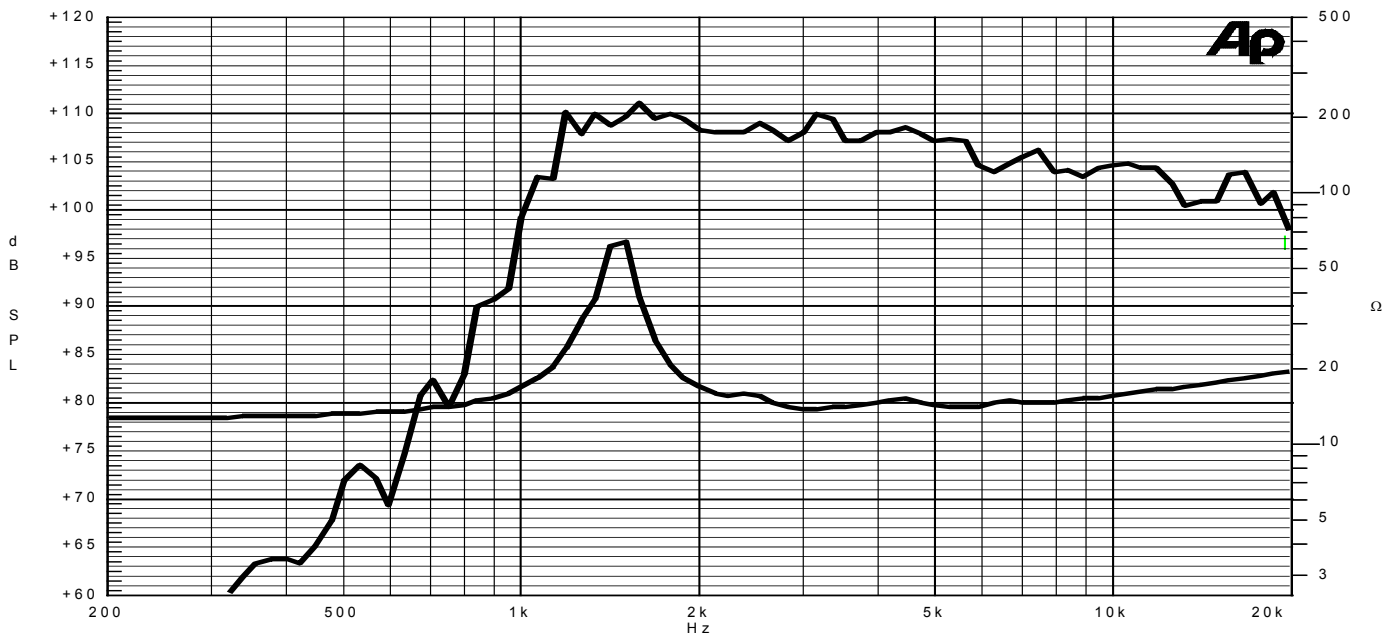
### ELECTRICAL CHARACTERISTICS

Nominal Impedance.....	16	Ω
Musical Power .....	32	W
Rated Power* .....	16	W
Sensitivity @ 1 W, 1 m .....	105.4	dB



\*rated power measured with 2 hours test with continuous pink noise signal, 6 dB crest factor, HP filter 3kHz-12dB/Oct

Free Air Frequency Response with horn @ 1 W, 1 m - Impedance (without horn)



Due to continuing product improvement, the features and the design are subject to change without notice.

10/03/05